

KAMI ELECTRONICS IND. CO., LTD.

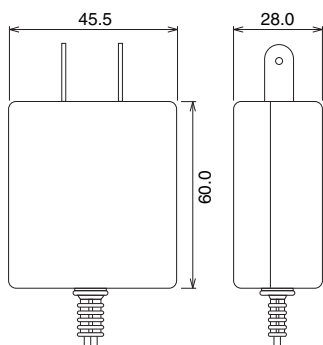
SWITCHING AC ADAPTORS

- (TYPE KSW05)
- (TYPE KSW05W)
- (TYPE KSW10)
- UL60950 cUL**
- (TYPE KSW10H)
- (TYPE KSW10C)
- (TYPE KSW15)
- (TYPE KSW15W3)
- (TYPE KSW20W)
- (TYPE KSW25)
- (TYPE KSW25C)
- (TYPE KSW25D)
- UL1950**
- (TYPE KSW36C)
- (TYPE KSW40W)

Features

1. Small size and lightweight.
2. Low noise:Conforming to VCCI Class II
3. With short circuit protection.
4. With over voltage protection.
5. Applicable to custom order.

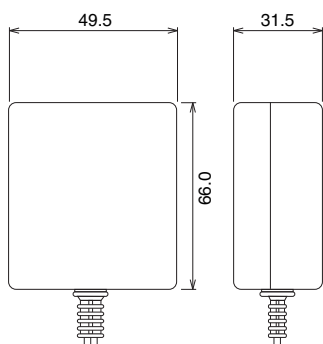
●TYPE KSW05



SPECIFICATIONS

ITEM	MODEL NAME	KSW510	KSW906	KSW1205	KSW1504
Rated output voltage	V	5	9	12	15
Rated output current	A	1	0.6	0.5	0.4
Minimum output current	A	0			
Maximum output power	W	5	5.4	6	6
Input voltage	VAC	90 ~ 132			
Input frequency	Hz	47 ~ 63			
Inrush current	A	30 max.(Cold start)			
Efficiency	%	70 typ.[at the rated input-output]			
Input-output regulation	%	±10max.			
Ripple noise	mVp-p	200 max.[Output terminal is loaded with 100µF]			
Hold-up time	msec.	10 min.[at the input 100V]			
Overcurrent protection	—	Provided [Output short circuit protection]			
Overvoltage protection	—	Provided			
Ambient temperature(operating)	℃	0 ~ +40			
Ambient humidity(operating)	%RH	10 ~ 90			
Storage temperature	℃	-10 ~ +70			
Storage humidity	%RH	5 ~ 95			
Withstand voltage	—	Primary-Secondary 2kV AC for one minute.			
Insulation resistance	—	Primary-Secondary 50MΩmin. DC 500V.			

●TYPE KSW05W



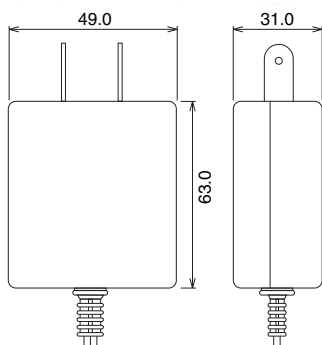
SPECIFICATIONS

ITEM	MODEL NAME	KSW510W	KSW906W	KSW1205W	KSW1504W
Rated output voltage	V	5	9	12	15
Rated output current	A	1	0.6	0.5	0.4
Minimum output current	A	0			
Maximum output power	W	5	5.4	6	6
Input voltage	VAC	90 ~ 264			
Input frequency	Hz	47 ~ 63			
Inrush current	A	30 max.(Cold start)			
Efficiency	%	70 typ.[at the rated input-output]			
Input-output regulation	%	±10max.			
Ripple noise	mVp-p	200 max.[Output terminal is loaded with 100µF]			
Hold-up time	msec.	10 min.[at the input 100V]			
Overcurrent protection	—	Provided [Output short circuit protection]			
Overvoltage protection	—	Provided			
Ambient temperature(operating)	℃	0 ~ +40			
Ambient humidity(operating)	%RH	10 ~ 90			
Storage temperature	℃	-10 ~ +70			
Storage humidity	%RH	5 ~ 95			
Withstand voltage	—	Primary-Secondary 3kV AC for one minute.			
Insulation resistance	—	Primary-Secondary 50MΩmin. DC 500V.			

Meet IEC standard

SWITCHING AC ADAPTORS

●TYPE KSW10

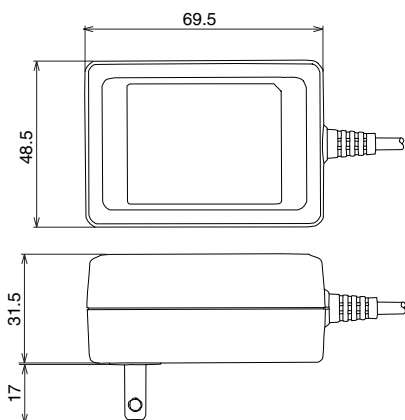


THESE MODELS MEET TO UL60950.

SPECIFICATIONS

ITEM	MODEL NAME	KSW523U	KSW620U	KSW913U	KSW1012U	KSW1210U	KSW1508U
Rated output voltage	V	5	6	9	10	12	15
Rated output current	A	2.3	2.0	1.3	1.2	1.0	0.8
Minimum output current	A	0					
Maximum output power	W	11.5	12.0	11.7	12.0	12.0	12.0
Input voltage	VAC	90~132					
Input frequency	Hz	47~63					
Inrush current	A	30 max.(Cold start)					
Efficiency	%	80 typ.[at the rated input-output]					
Input-output regulation	%	±10max.					
Ripple noise	mVp-p	200 max.[Output terminal is loaded with 100μF]					
Hold-up time	msec.	10 min.[at the input 100V]					
Overcurrent protection	—	Provided [Output short circuit protection]					
Overvoltage protection	—	Provided					
Ambient temperature(operating)	°C	0~+40					
Ambient humidity(operating)	%RH	10~90					
Storage temperature	°C	-10~+70					
Storage humidity	%RH	5~95					
Withstand voltage	—	Primary-Secondary 2kV AC for one minute.					
Insulation resistance	—	Primary-Secondary 50MΩmin. DC 500V.					

●TYPE KSW10H

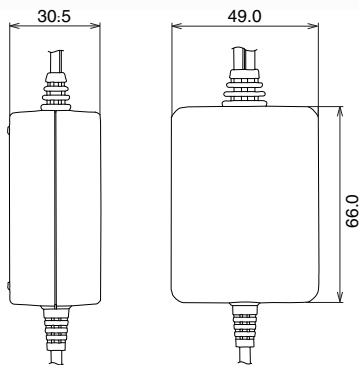


SPECIFICATIONS

ITEM	MODEL NAME	KSW523H	KSW913H	KSW1012H	KSW1210H	KSW1508H
Rated output voltage	V	5	9	10	12	15
Rated output current	A	2.3	1.3	1.2	1.0	0.8
Minimum output current	A	0				
Maximum output power	W	11.5	11.7	12.0	12.0	12.0
Input voltage	VAC	90~132				
Input frequency	Hz	47~63				
Inrush current	A	30 max.(Cold start)				
Efficiency	%	80 typ.[at the rated input-output]				
Input-output regulation	%	±10max.				
Ripple noise	mVp-p	200 max.[Output terminal is loaded with 100μF]				
Hold-up time	msec.	10 min.[at the input 100V]				
Overcurrent protection	—	Provided [Output short circuit protection]				
Overvoltage protection	—	Provided				
Ambient temperature(operating)	°C	0~+40				
Ambient humidity(operating)	%RH	10~90				
Storage temperature	°C	-10~+70				
Storage humidity	%RH	5~95				
Withstand voltage	—	Primary-Secondary 2kV AC for one minute.				
Insulation resistance	—	Primary-Secondary 50MΩmin. DC 500V.				

SWITCHING AC ADAPTORS

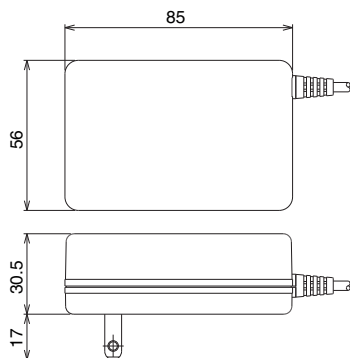
●TYPE KSW10C



SPECIFICATIONS

ITEM	MODEL NAME	KSW523C	KSW913C	KSW1012C	KSW1210C	KSW1508C
Rated output voltage	V	5	9	10	12	15
Rated output current	A	2.3	1.3	1.2	1.0	0.8
Minimum output current	A	0				
Maximum output power	W	11.5	11.7	12.0	12.0	12.0
Input voltage	VAC	90~110				
Input frequency	Hz	47~63				
Inrush current	A	30 max.(Cold start)				
Efficiency	%	80 typ. [at the rated input-output]				
Input-output regulation	%	±10max.				
Ripple noise	mVp-p	200 max.[Output terminal is loaded with 100μF]				
Hold-up time	msec.	10 min.[at the input 100V]				
Overcurrent protection	—	Provided [Output short circuit protection]				
Overvoltage protection	—	Provided				
Ambient temperature(operating)	°C	0~+40				
Ambient humidity(operating)	%RH	10~90				
Storage temperature	°C	-10~+70				
Storage humidity	%RH	5~95				
Withstand voltage	—	Primary-Secondary 2kV AC for one minute.				
Insulation resistance	—	Primary-Secondary 50MΩmin. DC 500V.				

●TYPE KSW15

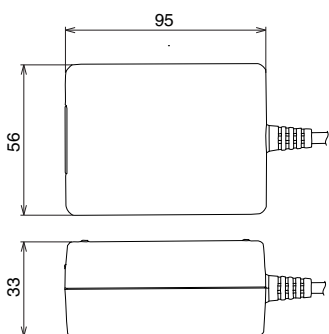


SPECIFICATIONS

ITEM	MODEL NAME	KSW623	KSW916	KSW1213	KSW1510
Rated output voltage	V	6	9	12	15
Rated output current	A	2.3	1.6	1.25	1
Minimum output current	A	0			
Maximum output power	W	13.8	14.4	15.0	15.0
Input voltage	VAC	90~132			
Input frequency	Hz	47~63			
Inrush current	A	30 max.(Cold start)			
Efficiency	%	80 typ.[at the rated input-output]			
Input-output regulation	%	±10max.			
Ripple noise	mVp-p	200 max.[Output terminal is loaded with 100μF]			
Hold-up time	msec.	10 min.[at the input 100V]			
Overcurrent protection	—	Provided [Output short circuit protection]			
Overvoltage protection	—	Provided			
Ambient temperature(operating)	°C	0~+40			
Ambient humidity(operating)	%RH	10~90			
Storage temperature	°C	-10~+70			
Storage humidity	%RH	5~95			
Withstand voltage	—	Primary-Secondary 2kV AC for one minute.			
Insulation resistance	—	Primary-Secondary 50MΩmin. DC 500V.			

SWITCHING AC ADAPTORS

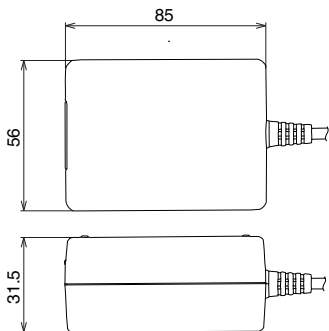
●TYPE KSW15W3



SPECIFICATIONS

ITEM	MODEL NAME	KSW0530W3	KSW0917W3	KSW1213W3	KSW1511W3
Rated output voltage	V	5	9	12	15
Rated output current	A	3.0	1.7	1.3	1.06
Minimum output current	A	0.1			
Maximum output power	W	15	15.3	15.6	15.9
Input voltage	VAC	90 ~ 264 [Rating:100/240]			
Input frequency	Hz	47 ~ 63 [Rating:50/60]			
Inrush current	A	30 max.(Cold start)			
Efficiency	%	70 typ.[at the rated input-output]			
Input-output regulation	%	±10 max.			
Ripple noise	mVp-p	150 max.[Output terminal is loaded with 100μF]			
Hold-up time	msec.	10 min.[at the input 100V]			
Overcurrent protection	—	Provided [Output short circuit protection]			
Overvoltage protection	—	Provided			
Ambient temperature(operating)	°C	0 ~ +40			
Ambient humidity(operating)	%RH	10 ~ 90			
Storage temperature	°C	-10 ~ +70			
Storage humidity	%RH	5 ~ 95			
Withstand voltage	—	Primary-Secondary 3kV AC for one minute.			
Insulation resistance	—	Primary-Secondary 50MΩmin. DC 500V.			

●TYPE KSW20W

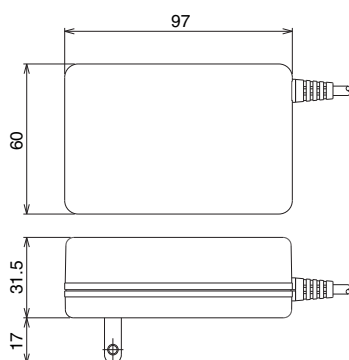


SPECIFICATIONS

ITEM	MODEL NAME	KSW530W	KSW920W	KSW1216W	KSW1514W
Rated output voltage	V	5	9	12	15
Rated output current	A	3	2	1.6	1.4
Minimum output current	A	0			
Maximum output power	W	15	18	19.2	21
Input voltage	VAC	90 ~ 264			
Input frequency	Hz	47 ~ 63			
Inrush current	A	30 max.(Cold start)			
Efficiency	%	80 typ.[at the rated input-output]			
Input-output regulation	%	±10 max.			
Ripple noise	mVp-p	200 max.[Output terminal is loaded with 100μF]			
Hold-up time	msec.	5 min.[at the input 100V]			
Overcurrent protection	—	Provided [Output short circuit protection]			
Overvoltage protection	—	Provided			
Ambient temperature(operating)	°C	0 ~ +40			
Ambient humidity(operating)	%RH	10 ~ 90			
Storage temperature	°C	-10 ~ +70			
Storage humidity	%RH	5 ~ 95			
Withstand voltage	—	Primary-Secondary 3kV AC for one minute.			
Insulation resistance	—	Primary-Secondary 50MΩmin. DC 500V.			

SWITCHING AC ADAPTORS

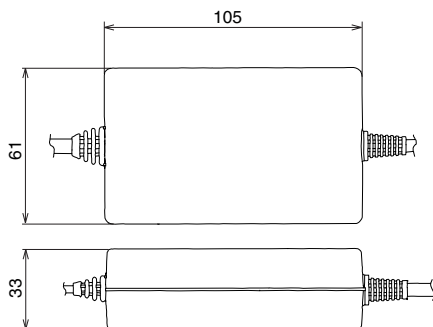
●TYPE KSW25



SPECIFICATIONS

ITEM	MODEL NAME	KSW635	KSW927	KSW1220	KSW1513
Rated output voltage	V	6	9	12	15
Rated output current	A	3.5	2.7	2	1.6
Minimum output current	A	0			
Maximum output power	W	21.0	24.3	24.0	24.0
Input voltage	VAC	90 ~ 132			
Input frequency	Hz	47 ~ 63			
Inrush current	A	30 max.(Cold start)			
Efficiency	%	80 typ.[at the rated input-output]			
Input-output regulation	%	±10 max.			
Ripple noise	mVp-p	200 max.[Output terminal is loaded with 100μF]			
Hold-up time	msec.	10 min.[at the input 100V]			
Overcurrent protection	—	Provided [Output short circuit protection]			
Overvoltage protection	—	Provided			
Ambient temperature(operating)	℃	0 ~ +40			
Ambient humidity(operating)	%RH	10 ~ 90			
Storage temperature	℃	-10 ~ +70			
Storage humidity	%RH	5 ~ 95			
Withstand voltage	—	Primary-Secondary 2kV AC for one minute.			
Insulation resistance	—	Primary-Secondary 50MΩmin. DC 500V.			

●TYPE KSW25C



SPECIFICATIONS

ITEM	MODEL NAME	KSW530C	KSW927C	KSW1220C	KSW1513C
Rated output voltage	V	5	9	12	15
Rated output current	A	3	2.7	2	1.6
Minimum output current	A	0			
Maximum output power	W	21.0	24.3	24.0	24.0
Input voltage	VAC	90 ~ 132			
Input frequency	Hz	47 ~ 63			
Inrush current	A	30 max.(Cold start)			
Efficiency	%	80 typ.[at the rated input-output]			
Input-output regulation	%	±10 max.			
Ripple noise	mVp-p	200 max.[Output terminal is loaded with 100μF]			
Hold-up time	msec.	10 min.[at the input 100V]			
Overcurrent protection	—	Provided [Output short circuit protection]			
Overvoltage protection	—	Provided			
Ambient temperature(operating)	℃	0 ~ +40			
Ambient humidity(operating)	%RH	10 ~ 90			
Storage temperature	℃	-10 ~ +70			
Storage humidity	%RH	5 ~ 95			
Withstand voltage	—	Primary-Secondary 2kV AC for one minute.			
Insulation resistance	—	Primary-Secondary 50MΩmin. DC 500V.			

SWITCHING AC ADAPTORS

●TYPE KSW25D

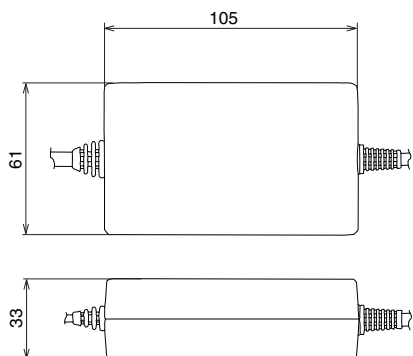


THIS MODEL MEETS TO UL1950.

SPECIFICATIONS

ITEM	MODEL NAME	KSW25D	
Rated output voltage	V	5	12
Rated output current	A	1.5	1
Minimum output current	A	0.2	0
Maximum output power	W	25.0	
Input voltage	VAC	90 ~ 132	
Input frequency	Hz	47 ~ 63	
Inrush current	A	30 max.(Cold start)	
Efficiency	%	70 typ.[at the rated input-output]	
Input-output regulation	%	± 5	±10
Ripple noise	mVp-p	150 max.[Output terminal is loaded with 100μF]	
Hold-up time	msec.	10 min.[at the input 100V]	
Overcurrent protection	—	Provided [Output short circuit protection]	
Overvoltage protection	—	Provided	
Ambient temperature(operating)	°C	0 ~ +40	
Ambient humidity(operating)	%RH	10 ~ 90	
Storage temperature	°C	-10 ~ +70	
Storage humidity	%RH	5 ~ 95	
Withstand voltage	—	Primary-Secondary 2kV AC for one minute.	
Insulation resistance	—	Primary-Secondary 50MΩmin. DC 500V.	

●TYPE KSW36C

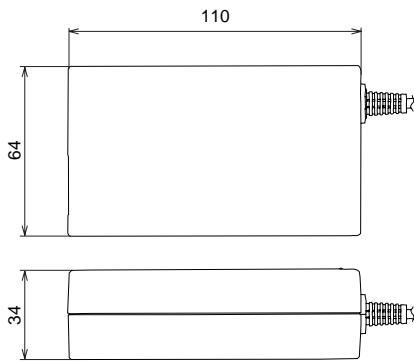


SPECIFICATIONS

ITEM	MODEL NAME	KSW835C	KSW933C	KSW1230C	KSW1524C
Rated output voltage	V	8	9	12	15
Rated output current	A	3.5	3.3	3	2.4
Minimum output current	A	0			
Maximum output power	W	28	29.7	36	36
Input voltage	VAC	90~110			
Input frequency	Hz	47~63			
Inrush current	A	30 max.(Cold start)			
Efficiency	%	80 typ.[at the rated input-output]			
Input-output regulation	%	±10max.			
Ripple noise	mVp-p	200 max.[Output terminal is loaded with 100μF]			
Hold-up time	msec.	10 min.[at the input 100V]			
Overcurrent protection	—	Provided [Output short circuit protection]			
Overvoltage protection	—	Provided			
Ambient temperature(operating)	°C	0~+40			
Ambient humidity(operating)	%RH	10~90			
Storage temperature	°C	-10~+70			
Storage humidity	%RH	5~95			
Withstand voltage	—	Primary-Secondary 2kV AC for one minute.			
Insulation resistance	—	Primary-Secondary 50MΩmin. DC 500V.			

SWITCHING AC ADAPTORS

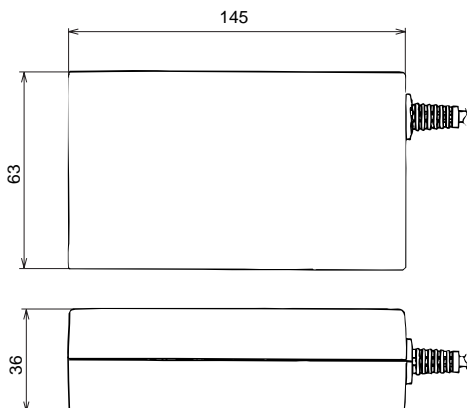
● TYPE KSW40W



SPECIFICATIONS

ITEM	MODEL NAME	KSW1230W	KSW1527W
Rated output voltage	V	12	15
Rated output current	A	3.0	2.7
Minimum output current	A	0	
Maximum output power	W	36	40.5
Input voltage	VAC	90 ~ 264	
Input frequency	Hz	47 ~ 63	
Inrush current	A	30 max.(Cold start)	
Efficiency	%	80 typ.[at the rated input-output]	
Input-output regulation	%	±10max.	
Ripple noise	mVp-p	200 max.[Output terminal is loaded with 100 F]	
Hold-up time	msec.	10 min.[at the input 100V]	
Overcurrent protection	—	Provided [Output short circuit protection]	
Overvoltage protection	—	Provided	
Ambient temperature(operating)	°C	0 ~ +40	
Ambient humidity(operating)	%RH	10 ~ 90	
Storage temperature	°C	-10 ~ +70	
Storage humidity	%RH	5 ~ 95	
Withstand voltage	—	Primary-Secondary 3kV AC for one minute.	
Insulation resistance	—	Primary-Secondary 50MΩmin. DC 500V.	

● TYPE KSW72W



SPECIFICATIONS

ITEM	MODEL NAME	KSW2430
Rated output voltage	V	24
Rated output current	A	3.0
Minimum output current	A	0
Maximum output power	W	72
Input voltage	VAC	90 ~ 264
Input frequency	Hz	47 ~ 63
Inrush current	A	30 max.(Cold start)
Efficiency	%	80 typ.[at the rated input-output]
Input-output regulation	%	±10max.
Ripple noise	mVp-p	800 max.[Output terminal is loaded with 100 F]
Hold-up time	msec.	10 min.[at the input 100V]
Overcurrent protection	—	Provided [Output short circuit protection]
Overvoltage protection	—	Provided
Ambient temperature(operating)	°C	0 ~ +40
Ambient humidity(operating)	%RH	10 ~ 90
Storage temperature	°C	-10 ~ +70
Storage humidity	%RH	5 ~ 95
Withstand voltage	—	Primary-Secondary 3kV AC for one minute.
Insulation resistance	—	Primary-Secondary 50MΩmin. DC 500V.