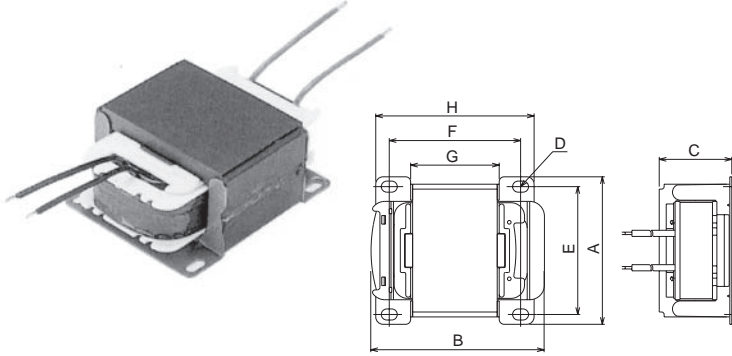


薄型リードタイプトランス
THIN TRANSFORMERS (MPT TYPE)

● DOMESTIC(JAPAN) UL CSA IEC

● TYPE MPT

MPT series are available for the thinner-sized sets and suit to IEC standard.



MPTシリーズは、高さ制限のある薄型機器に最適です。
又、IEC規格に適合します。

Model	A	B	C	D	E	F	G	H	VA
KS5535	60.0	75.0	30.0	4.5×6.5	52.0	53.0	35.0	64.0	22.0
KS6435	67.0	83.0	35.0	4.5×6.5	58.0	53.0	35.0	68.0	35.0
KS7235	72.0	90.0	41.0	4.5×9.5	63.0	58.0	35.0	74.0	40.0
KS7250	72.0	105.0	41.0	4.5×9.5	63.0	73.0	50.0	89.0	60.0
KS7270	72.0	125.0	41.0	4.5×9.5	63.0	93.0	70.0	109.0	80.0
KS9640	96.0	115.0	48.0	5.5×8.5	83.0	74.0	40.0	96.0	120.0
KS9660	96.0	135.0	48.0	5.5×8.5	83.0	94.0	60.0	116.0	180.0
KS9680	96.0	155.0	48.0	5.5×8.5	83.0	114.0	80.0	136.0	240.0
KSA060	100.0	125.0	40.0	5.5×8.5	87.0	85.0	60.0	104.0	120.0
KSA090	100.0	155.0	40.0	5.5×8.5	87.0	115.0	90.0	134.0	180.0
KSA0C0	100.0	185.0	40.0	5.5×8.5	87.0	145.0	120.0	164.0	240.0
KSC0A0	120.0	185.0	60.0	5.0×8.0	105.0	140.0	100.0	160.0	400.0

VA means Capacity at 50Hz